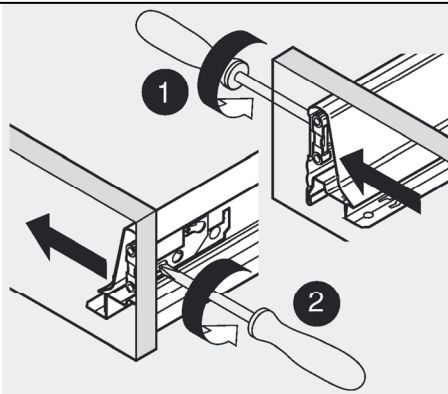
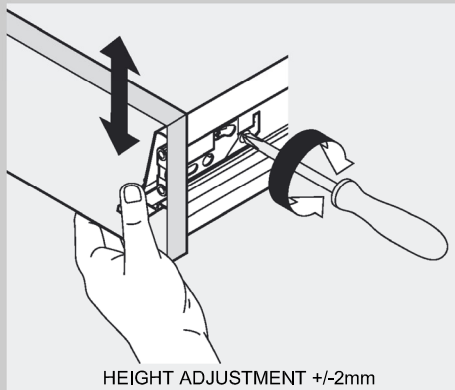


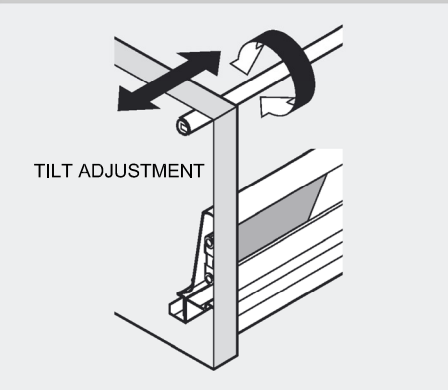
SIDE ADJUSTMENT TO THE LEFT 1mm



SIDE ADJUSTMENT TO THE RIGHT 1mm



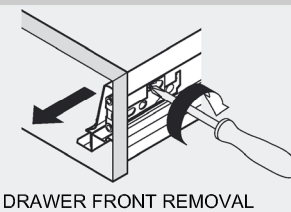
HEIGHT ADJUSTMENT +/-2mm



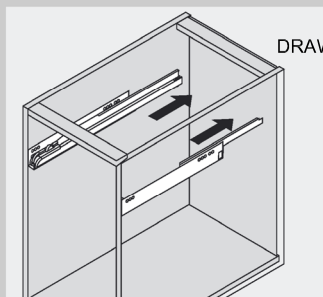
TILT ADJUSTMENT



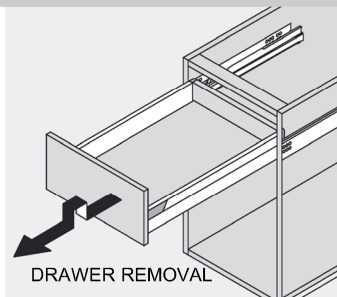
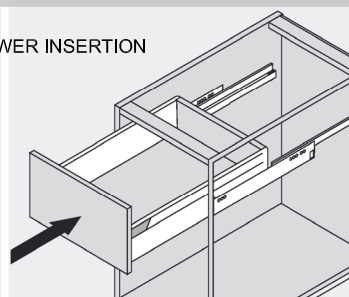
COVER CAP REMOVAL



DRAWER FRONT REMOVAL



DRAWER INSERTION



DRAWER REMOVAL

BLUMOTION ACTIVATION

